



CASE
CONSTRUCTION

PRECISION GRADING



GRADING. PRECISELY.

Precision grading solutions from CASE Construction Equipment will get you to grade faster, and with greater accuracy, efficiency, and profitability. Whether you spend your days preparing sites for concrete slabs or maintaining roads, the CASE Laser Grading Box and GB108 Precision Grader Blade will ensure a quick return on your investment and long-term benefits to your business, including:

- + Greater quality with less rework
- + Greater productivity—get more done with the time you have
- + Achieve finished grade faster and with less wear and tear on your equipment
- + Greater predictability and control of job costs = more competitive bids
- + Improved equipment utilization and efficiency

The payback of CASE precision grading solutions can be within a single job.



CASE PRECISION GRADING SOLUTIONS

CASE precision grading solutions provide your operation with a competitive edge on nearly every job you bid. The reason? Precision grading reduces gravel and concrete costs. In fact, standard 10% overage estimates can be reduced to 2-3%. The better the bid, the more contracts you win. Do the math. With unrivaled grading precision, you'll come out ahead on almost every job you take on.

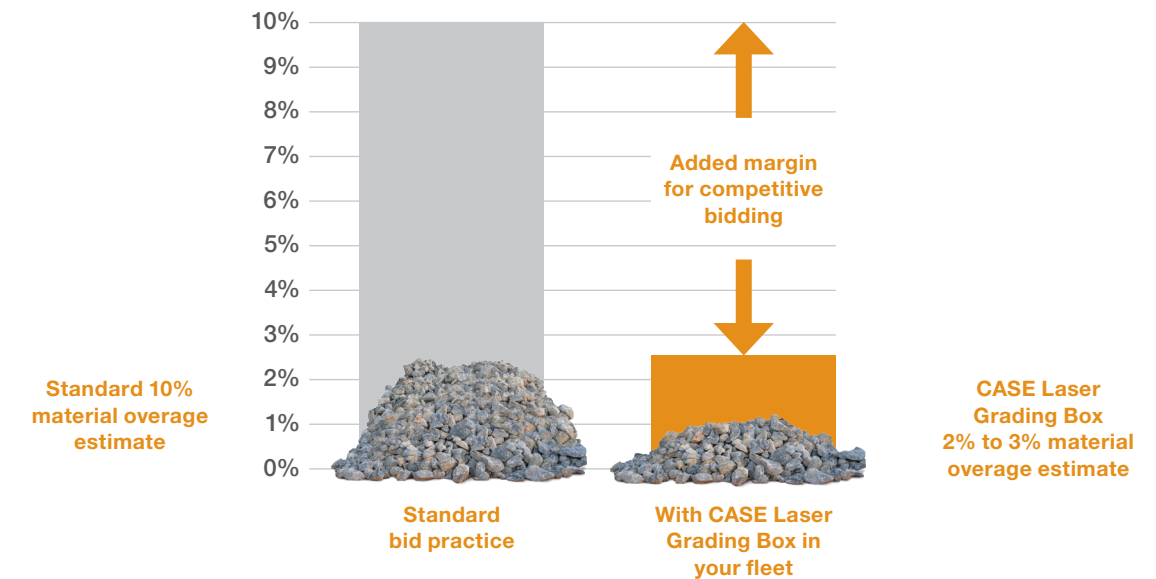


GRADING BOX



GRADER BLADE

% Material Overage Included with Every Bid



PRECISION GRADER BLADE

The best features of a motor grader—on a compact track loader! Add performance, versatility, and power to your large-frame compact track loader with the Precision Grader Blade. Achieve highly accurate grades for any application by adding one of the SiteControl machine control options by Leica Geosystems.

The Precision Grader Blade is perfect for ditch cutting, cutting sod and topsoil, grading in tight spaces, and grading contours with 3D precision and can be utilized in applications such as:

- + Road grading and maintenance
- + Parking lots
- + Building pads and concrete subgrades
- + Athletic fields
- + Creating swales



TRUE PRECISION SiteControl machine control solutions powered by Leica Geosystems ensure your grader blade is truly a precision tool. SiteControl 2D Single and Dual Laser Systems are highly accurate leveraging “cutting-edge” technologies.



DURABILITY AND SERVICE LIFE To ensure optimal durability, increased production hours and extended service, CASE precision grading solutions are made in America to the highest standards of material and craftsmanship.



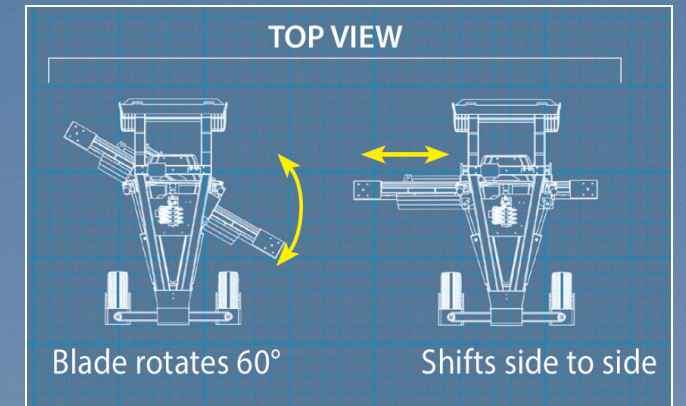
SMOOTH PERFORMANCE Hydraulic valves adjust rapidly on the fly, resulting in a smoother performance that reduces operator fatigue and increases work productivity.



EXPERT DEALER SUPPORT CASE precision grading solutions are available only through authorized dealers with the reliability and resources you need for training, parts, and support.

Key Features

- + Plug & Play with CASE B Series compact track loaders
- + Operators choice of full control with manual mode or the ease of automatic mode
- + Jointly or independently change elevation and slope through dual lift cylinders
- + The 108" wide blade with 60° of combined blade rotation results in 97" at full rotation, allowing you to cover more ground
- + 26" of combined blade sideshift allows for grading around structures without repositioning the machine
- + No daily maintenance maximizes uptime



Benefits

- + Increase machine productivity and utilization up to 40%
- + Accelerate excavation, placing, and finishing of materials
- + Achieve consistently smooth, highly accurate grade



PRECISION GRADER BLADE

(CONTINUED)

Standard on all Models

- + 8-way blade adjustment
- + Stable platform for fine grading
- + Oscillating front axle stabilizes operation
- + 3D capable
- + Foam-filled tires
- + Powder coated finish
- + Reversible cutting edge

Compact Track Loader Requirements

- + Standard-flow hydraulics
- + Level 300 or above hydraulics package*
- + 14-pin electrical
- + Any CTL with 10,000 lb minimum operating weight

*Additional controller required if not met



Specifications

DESCRIPTION	AMOUNT	DESCRIPTION	AMOUNT
Blade Lift	6.94" (0.17 m)	Max Tilt (one cylinder up, one down)	24.5°
Blade Dig	7.43" (0.18 m)	Weight – lb (kg)	2,620 lbs (1 188)
Side Shift	± 13°	Moldboard Width	108" (2.74 m)
Rotation	± 30°		

RECOMMENDED FOR USE ON THESE CASE COMPACT TRACK LOADERS*

TR340B TV450B TV620B

TAKE YOUR BLADE TO THE NEXT LEVEL

Take the performance of the Precision Grader Blade to the next level with the addition of a SiteControl machine control solution.

- + 2D or 3D/Single or Dual Sonic System
- + 2D or 3D/Single or Dual Laser System
- + 3D Single or Dual GNSS System
- + 3D Single TPS System



Optional Accessories



Optional bolt-on side plates help contain material



Optional twin convex mirrors give the operator visibility down to the moldboard corners

*Works with other makes and manufacturers as long as the CTL has an operating weight of at least 10,000 lbs

PRECISION LASER GRADING BOX

Precision grading made easy! Recognize real and immediate results in increased productivity and material savings with the CASE Precision Laser Grading Box. As one of the simplest and most practical applications for machine control technology, the CASE Precision Laser Grading Box can help to improve grading accuracy to within 0.1" when utilizing CASE SiteControl solutions by Leica Geosystems.

Thanks to advanced compatibility with GPS, sonic sensors, and total stations, the CASE Laser Grading Box can also be used in mission-critical applications such as grading railroad ballast, preparing explosive beds for mining, and other specialized industrial applications where failure is not an option. The Precision Laser Grading Box is perfect for most any fine grading applications and can be utilized in applications such as:

- + Parking lots
- + Building pads and concrete subgrades
- + Athletic fields
- + Driveways and sidewalks
- + Golf course tee boxes and cart paths
- + Equestrian riding arenas



ACCURACY With a finish grade accurate to within 1/10th of an inch, no other grading equipment is more accurate.



DURABILITY AND SERVICE LIFE To ensure optimal durability, increased production hours and extended service, CASE precision grading solutions are made in America to the highest standards of material and craftsmanship.



EXPERT DEALER SUPPORT CASE precision grading solutions are available only through authorized dealers with the reliability and resources you need for training, parts, and support.



SMOOTH PERFORMANCE The hydraulic valve system adjusts over fifty times per second on the fly, resulting in a smoother performance that reduces operator fatigue and increases work productivity.



SIMPLE, EASY OPERATION Learning how to use a CASE Laser Grading Box is fast and easy, especially for experienced operators.

Key Features

- + Push-pull design grades both forward and in reverse for added productivity
- + Front wheel location provides stability for a smoother grading operation and surface
- + Hydraulic valve system adjusts grading box, providing operators with smooth and accurate performance in even the toughest environments
- + Reversible and replaceable cutting edge
- + Simple and easy operation

Benefits

- + Create highly precise finish grades to within 0.1"
- + Increased grading accuracy allows for reduced material overage estimates
- + Smooth performance reduces operator fatigue

The CASE Precision Laser Grading Box is compatible with CASE SiteControl laser control panel and laser receivers and is available in either single-mast (automated elevation only) or dual-mast (automated elevation and cross slope) configurations.

Standard on All Models

- + Composite, greaseless bushings in all pivot points
- + Large mirror allows operator to view spoil and material in front of the box
- + Foam-filled tires for flat-free operation
- + Connect-under-pressure flat face quick couplers
- + Durable powder coat finish
- + Industry-leading 3-year standard product warranty

Skid Steer/Compact Track Loader Requirements

- + Standard auxiliary hydraulics
- + Case drain
- + Front electric kit required for laser control package

PRECISION LASER GRADING BOX

(CONTINUED)

Specifications

MODEL	GRADES	WORKING WIDTH	FRONT CAPACITY	REAR CAPACITY
PS-72	Depth	72" (1829 mm)	11.5 ft ³ (.33 M ³)	7.0 ft ³ (.20 M ³)
PD-72	Depth and slope			
PS-84	Depth	84" (2134 mm)	13.4 ft ³ (.38 M ³)	8.0 ft ³ (.23 M ³)
PD-84	Depth and slope			
PS-96	Depth	96" (2438 mm)	15.3 ft ³ (.43 M ³)	9.0 ft ³ (.25 M ³)
PD-96	Depth and slope			

MODEL COMPATIBILITY	SR160B	SR175B SV185B	SR210B	SR240B	SR270B SV280B	SV340B	TR270B	TR310B	TR340B TV370B TV450B
	SR130 SR150 SR160	SR175 SR185	SR200 SR210 SR220	SR240	SV250 SR250 SR270 SV280	SV300 SV340	TR270	TR310	TR320 TR340 TV370 TV450
	410	420	430	440 435	445	450 465	420CT	440CT	445CT 450CT
72" Precision Laser Grading Box, Single/Dual Mast		•	•	•	•		•	•	
84" Precision Laser Grading Box, Single/Dual Mast		•	•	•	•	•	•	•	•
96" Precision Laser Grading Box, Single/Dual Mast				•	•	•		•	•



BOX OR BLADE, YOU CHOOSE.

Deciding whether your operation would benefit most from a Laser Grading Box or a Precision Grader Blade?

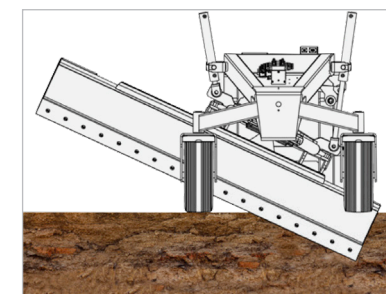
	Precision Grader Blade	Laser Grading Box
WHAT WILL YOU BE USING THE ATTACHMENT FOR?		
To grade flats and crowns	✓	✓
To grade 3D terrain	✓	
As a finishing tool	✓	✓
WHAT CAPABILITIES DO YOU NEED?		
Cut up to 26" deep	✓	
Windrow material	✓	



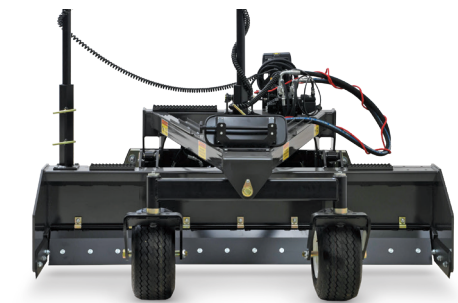
GRADER BLADE



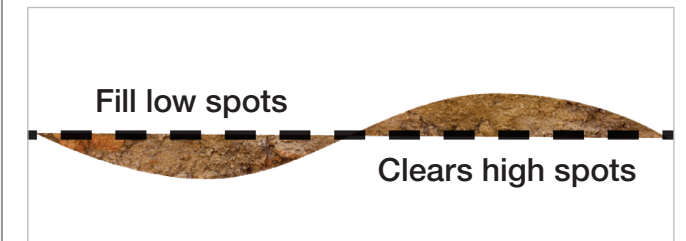
Grades with windrows



Cuts up to 26", Highly adjustable



GRADING BOX



Fills low spots, Clears high spots



Grades in both directions



BUILDING A STRONG CASE.

Since 1842, we at CASE Construction Equipment have lived by an unwavering commitment to build practical, intuitive solutions that deliver both efficiency and productivity.

We continually strive to make it easier for our customers to implement emerging technologies and new compliance mandates.

Today, our global scale combined with our local expertise enables us to keep customers' real-world challenges at the center of our product development. This focus has led to numerous innovations like Ride Control™, electro-hydraulic controls, Blade Shake, PowerLift™, over-center boom design and the peace of mind that only CASE ProCare provides.

Every CASE machine is backed by more than 300 North American dealer locations, thousands of OEM, remanufactured and all-makes parts, and flexible financing and insurance options that provide the kind of reliable, steadfast support you expect from a professional partner.

We are passionate about improving the lives of others, whether investing in our veterans or raising awareness about local infrastructure initiatives through Dire States. Our goal is to build both stronger machines — and stronger communities.

At the end of the day, we do what's right by our customers and our communities so that they can count on CASE.

CaseCE.com

©2021 CNH Industrial America LLC. All rights reserved. CASE is a trademark registered in the United States and many other countries, owned by or licensed to CNH Industrial N.V., its subsidiaries or affiliates. CNH Industrial Capital is a trademark in the United States and many other countries, owned by or licensed to CNH Industrial N.V., its subsidiaries or affiliates. Any trademarks referred to herein, in association with goods and/or services of companies other than CNH Industrial America LLC., are the property of those respective companies. Printed in U.S.A. Contains 10% post-consumer fiber.

PM-21178 Issued 11/2021 Replaces: None

IMPORTANT: CASE Construction Equipment Inc. reserves the right to change these specifications without notice and without incurring any obligation relating to such change. Availability of some models and equipment builds vary according to the country in which the equipment is used. The illustrations and text may include optional equipment and accessories and may not include all standard equipment. Your CASE dealer/distributor will be able to give you details of the products and their specifications available in your area.



CASE Construction Equipment is biodiesel-friendly. NOTE: All engines meet current EPA emissions regulations. All specifications are stated in accordance with SAE Standards or Recommended Practices, where applicable.



Always read the Operator's Manual before operating any equipment. Inspect equipment before using it, and be sure it is operating properly. Follow the product safety signs and use any safety features provided.